

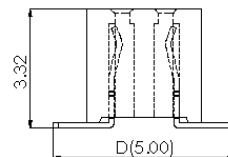
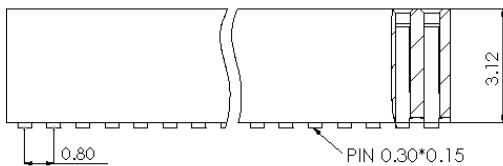
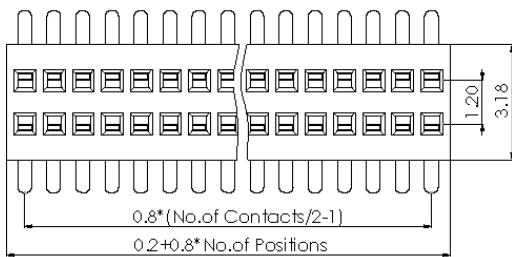
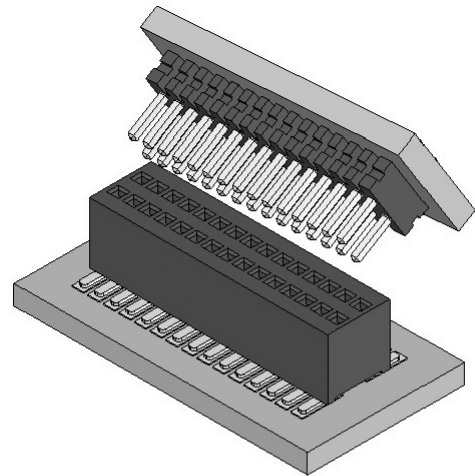
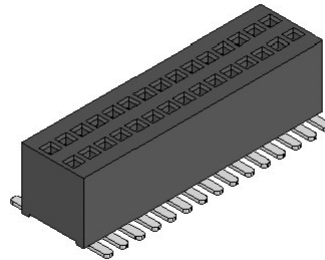
Female Header 0.8 mm

SMT Series

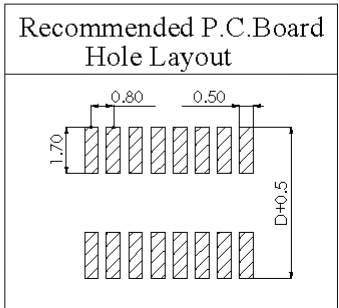
SPECIFICATIONS

- Current Rating: 0.8 A
- Insulator Resistance: 800 MOhm min.
- Contact Resistance: 20 mOhm max.
- Dielectric Withstanding: AC 500 V
- Operating Temperature: -40°C ~ +105°C
- Soldering Temperature: 260°C for 3~5sec. max
- Contact Material: Phosphor Bronze
- Insulator Material: Polyester, UL 94V-0
- Standard: Nylon-6T
- Finish: Tin, Gold or Duplex Plated
- Standard: Gold Flash all over
- Note: Duplex Plating: Gold Plated on contact area, Tin on solder area

F901-MGN-D050-XX



[F901]



How to order

Unit: mm

Series	Connector Type	Contact Plating	Material	Pin Length mm	Number of Contacts
FXXX	- X	X	X -	DXXX	- XX
F901:F/H 0.80 H:3.12 Dual Row	M:SMT Type	G:Gold Flash T:Tin Plated A:10U"Gold B:15U"Gold C:20U"Gold ⊙Duplex Plating D:Gold Flash/Tin (Standard:G)	N:Nylon-6T (Standard:N)	M-D D050	(04 TO 80 Contacts)